

MPK50

max 5 T

3010 x 1200 x 1740 mm

max 9.2 m

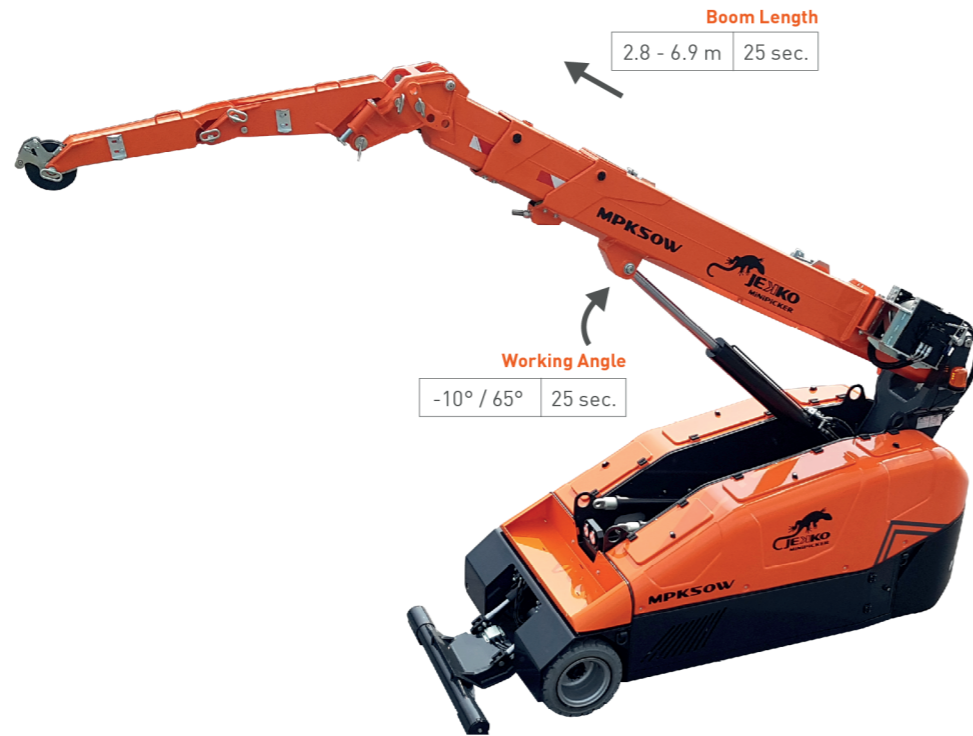
max 6.1 m

Pure innovation. Totally radio remote-controlled, battery powered, 5 T pick & carry, patented boom rotation system and frontal stabilizer bar make this crane one of a kind.



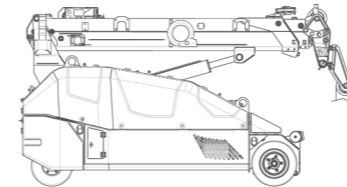
Technical Information

Dimension	LxWxH	3010 x 1200 x 1740 mm	
Crane & Options Weights		Kg	
		MPK50	3450
		/	1000
		5T-D8	10
		JIB1800-700.2M	Module 1800 / 30 Kg Module 700 / 20 Kg Tot. 50 Kg
MPK50	Battery	2 Batteries 24 V 620 Ah	12 kW 16,1 Hp
Speed		4.0 km/h	
Stability		20°	



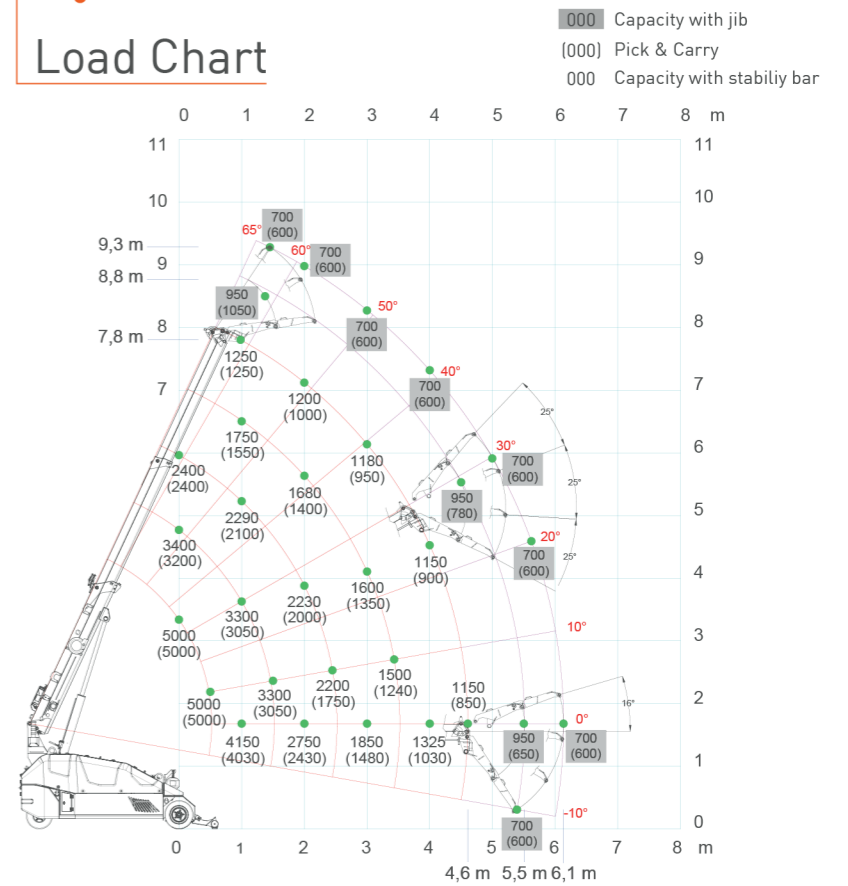
Winch & Fall Stages

	Main Winch	1000 kg 60 m - Ø 8 mm 45.1 m/min.
--	------------	---

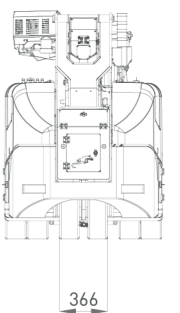
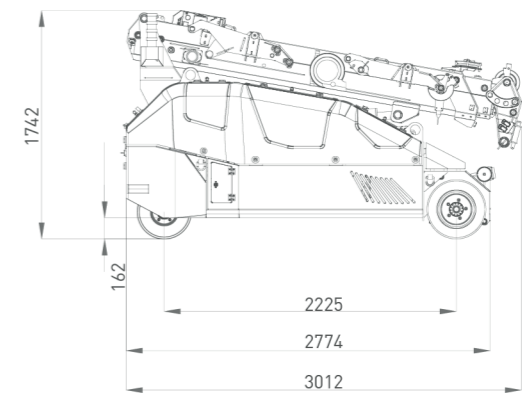
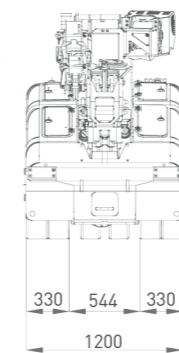


Max. Capacity	Line	Metres
max 5000 kg	5	-11 m
max 4000 kg	4	-13 m
max 3000 kg	3	-18 m
max 2000 kg	2	-27 m
max 1000 kg	1	-53 m

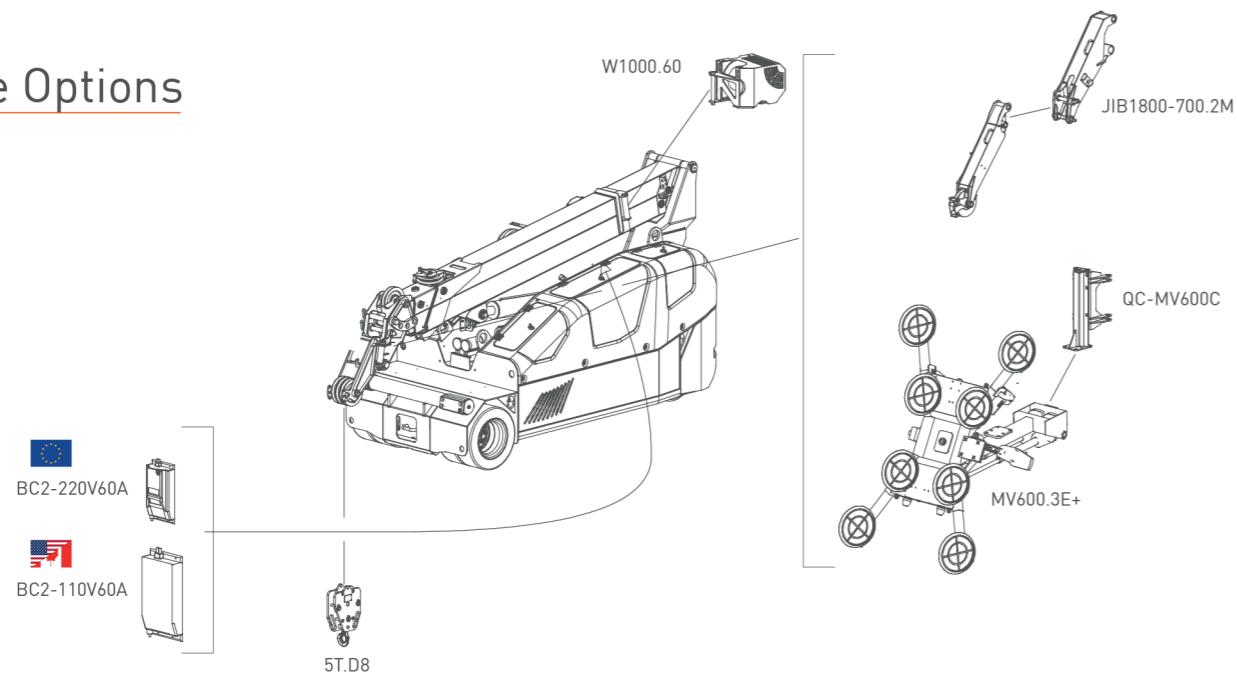
Load Chart



Dimensions



Crane Options



Tools Configurations

JIB1800-700.2M	Short	Long	MV600.3E+
max	1800 kg	700 kg	max 600 kg
max	1000 kg @ 8.5 m	700 kg @ 9 m	max 600 kg @ 8 m
max	950 kg @ 5.5 m	700 kg @ 6 m	max 500 kg @ 6.5 m