

JF40

max 2500 kg

2380 x 780 x 1820 mm

max 8.1 m

max 6.8 m



Technical Information



Load Chart

Dimension	L x W x H	2380 x 780 x 1820 mm
Stab. Area		4550 X 4550 mm

P: manual extension

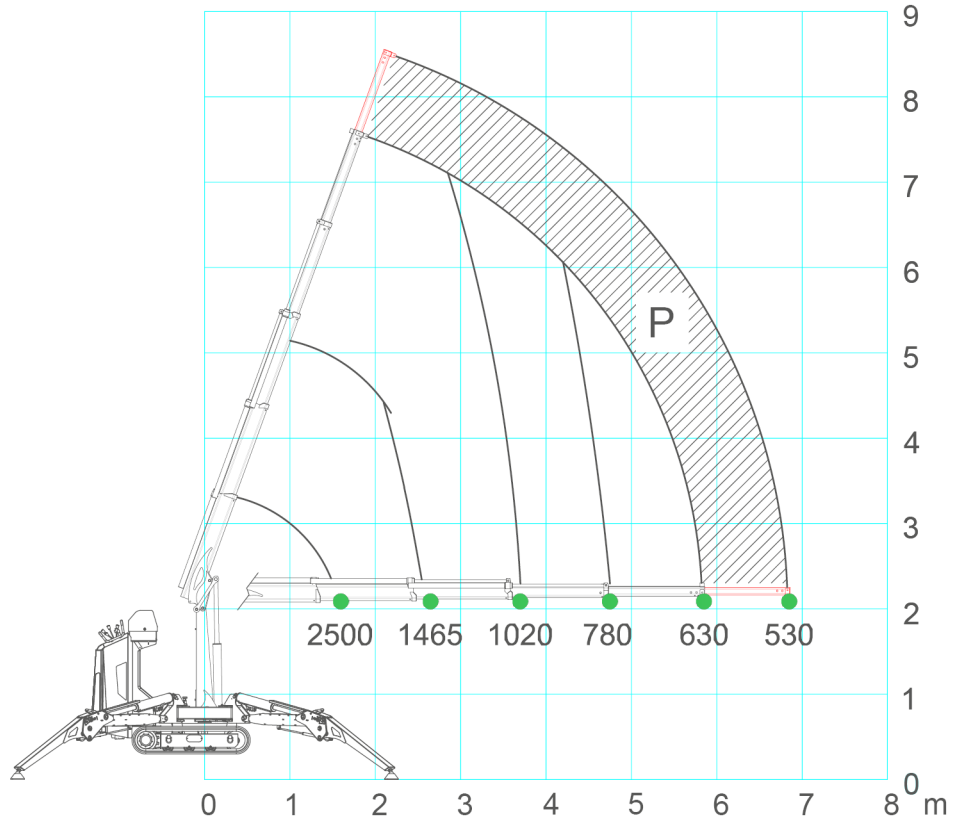
Crane & Options Weights		Kg
	JF40	1500
	/	
	TF0500	12
	PP400-4DX PP220-4DX PP220-2DX	40
	JIB P	9

Winch		600 kg 36 m - Ø 6 mm 27-33 m/min.
-------	--	---

JF40	Petrol Engine	YAMAHA MZ 360	7.6 kW 10.4 Hp
------	---------------	---------------	-------------------

Speed		2.4 km/h
-------	--	----------

Gradeability		25°
--------------	--	-----



Electric Power Pack

	400V 3-AC 4kW / 5.3 HP
	230V AC 2.2kW / 2.9 HP

Max. Track Load

	0.42 kg/cm ²
--	-------------------------

Max. Outrigger Load

	1530 kg
--	---------

Boom Length

1.6 - 5.8 m	30 sec.
-------------	---------

Working Angle

0° / 70°	14 sec.
----------	---------

Rotation

330° / 30 sec.



Dimensions

